



# EVBS

## MODULAR BAYONET CONNECTORS

Data Connectors and Signals



## About Us



Radiall has been enabling technology and innovation through collaboration with customers since 1952.

This has resulted in a range of innovative and award-winning products that customers trust for unrivaled repeatability and performance. Radiall's success is built on strong customer relationships and quality components, which have been established since its foundation.

With a focus on simplification and innovation, Radiall has become an industry leader in providing innovative solutions to customers. From connectors to in-house technologies, Radiall's commitment to collaboration and innovation has made it a trusted partner for customers looking to build the future.



The VanSystem brand in the Radiall world distinguishes "heavy duty" connectors for railways and industrial applications.

The name origin is related to VanSystem, an Italian company founded in Milan in 1985 and specialized in the design and production of industrial connectors.

During 30 years of activity the company has gained a strong market position by developing interconnection solutions compliant with the SAE AS 50151 (ex MIL-DTL-5015) standard and tailor-made connectors for the railway, machine tools, automation, construction sites, power supply, extractive industries markets.

In 2015 Radiall SA took over the company; Radiall Italia was born in 2021, from the merger between VanSystem srl and Radiall Elettronica srl.

Radiall Italia S.r.l. Quality System is qualified according ISO 9001:2015 and ISO/TS 22163:2017 (IRIS)



# EVBS - Modular Bayonet Connector

## Data Connectors and Signals



### EVBS-C7

#### Bayonet Category 7 Connector

#### Ethernet Cat 6A - Ethernet Cat 7 - Ethernet Cat 7A

The definitive alternative for Ethernet static interconnections inside railways vehicles

- Passenger control
- Networking and lighting control
- Diagnostic support for brakes, motors and doors
- Passenger display and Internet connection



### EVBS Series

#### Modular Bayonet Connector

EVBS is a new reliable solution for data transmission through LAN 5E or 6 cat. cables in railways applications.

- Reduced overall dimensions
- Bayonet coupling
- IP67 water resistance (mated connectors)
- Vibration and shock resistant
- Easy connection to the most common updated conduit systems
- Arranged for any shielding requirement
- Materials and finishes comply the updated requirements for railways applications
- Tested according to standard requirements
- Insert arrangements available for 2 or 4 twisted pairs with or w/out shielding



## EVBS-C7 - Bayonet Category 7 Connector

Ethernet Cat 6A - Ethernet Cat 7 - Ethernet Cat 7A



- Directly derived from Cat 7 module used on GM series
- Audible, visible and tactile mating.
- One quarter turn lock for coupling
- Vibration and shock resistant: according to EN 61373 category 1, class B, body mounted.
- Fire behaviour: according to EN 45545-2
- Positive fitting to the dimensions requested by the most updated cables for static applications
- Match CAT 7A requirements.
- Tested according to Trenitalia 376575.
- Over-moulded contacts pairs at controlled impedance.
- Each pair is fully shielded from the adjacent to reduce the crosstalk.
- 2x4 contact termination - AWG 26 / AWG 24 / AWG 23
- Reduced components quantity makes easier and more reliable assembly.
- The square receptacle makes possible the reliable fixing on panels and racks.

### Materials and finishes:

Shell	Aluminum alloy – Electro-less nickel plated
Contacts	Copper alloy – Gold plating over Nickel
Insulator	Controlled impedance thermoplastic resin

### Crimping Tools



Modules type	Wire Identifier tool	Contacts crimping tool	Wire stripping tool
C7 *	VS610063	VS610057	VS610058

\* For a faster wire identification & easier assembly we suggest to add VS61171 to the C7 standard tool kit

Part Number	Short Description	Tool
VS610069	CRT-SH30L	Manual Crimp Tool for Shielding
VS610070	CDI-30K06	Crimp Die for Shielding Sleeve Ø 6mm
VS610071	CDI-30K09	Crimp Die for Shielding Sleeve Ø 9mm

## EVBS-C7 - Bayonet Category 7 Connector

### Part number explanation

<b>EVBS</b>	<b>Series Code</b>	<b>EVBS</b>	EVBS series
<b>C7</b>	<b>Type</b>	<b>C7</b>	Up to Category 7A
<b>6</b>	<b>Shell Type</b>	<b>1</b>	Receptacle connectors - Socket insert
		<b>6</b>	Plug connectors - Pin insert
<b>EII</b>	<b>Backshell Class</b>	<b>GV</b>	Adapter with shielding nut and cone for wire diameter 9,3mm (Ø7,5 mm or Ø 10 mm on request) (Cat. 7)
		<b>EII</b>	Double spring adapter (strain relief & shielding) for cable Ø 7 ÷ Ø 10,1 mm (Cat. 7A)
<b>A09</b>	<b>Cable diameter</b>	<b>A05</b>	XE Module for cables up to Ø 5mm
		<b>A06</b>	XE Module for cables up to Ø 6mm
		<b>A09</b>	XE Module for cables up to Ø 9mm
		<b>A07</b>	GV Module for cables up to Ø 7.5mm (on request)
		<b>A10</b>	GV Module for cables up to Ø 10mm (on request)
<b>N03</b>	<b>Contact type</b>	<b>N03</b>	Contacts for AWG 24 - AWG 23



## EVBS-C7 - Bayonet Category 7 Connector

### Ethernet Cat 6A - Ethernet Cat 7 - Ethernet Cat 7A

- Match CAT 7A requirements.
- Tested according to Trenitalia 376575.
- Over-moulded contacts pairs at controlled impedance.
- Each pair is fully shielded from the adjacent to reduce the crosstalk.
- 2x4 contact termination - AWG 26 / AWG 24 / AWG 23
- Reduced components quantity makes easier and more reliable assembly.



#### Plug connectors

Part Number	Short Description	N° Poles	Ethernet	Contact Gender	Wire Section mm <sup>2</sup>	AWG	Contact Type (size)	Contact plated
VS170519	EVBS-C7 6EII N03	2x4	Cat. 6A - Cat. 7 - Cat. 7A	Pin	0.25	26 - 24 - 23	crimp	gold
On request	EVBS-C7 6GV N03	2x4	Cat. 6A - Cat. 7	Pin	0.25	26 - 24 - 23	crimp	gold

#### Receptacle connectors

Part Number	Short Description	N° Poles	Ethernet	Contact Gender	Wire Section mm <sup>2</sup>	AWG	Contact Type (size)	Contact plated
VS170520	EVBS-C7 1EII N03	2x4	Cat. 6A - Cat. 7 - Cat. 7A	Socket	0.25	26 - 24 - 23	crimp	gold
On request	EVBS-C7 1GV N03	2x4	Cat. 6A - Cat. 7	Socket	0.25	26 - 24 - 23	crimp	gold

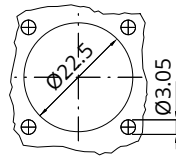
*Terminations for other section can be supplied on request*

- Cable TECNİKABEL 522E0048 ETHERNET CABLE 4 PAIRS 23AWG CAT7A (For jumper railway application tested up to 10meters)
- Cable BELDEN BE43801 CAT7 ETHERNET RAILCABLE 4 PR AWG24/16 S/FTP
- Cable HUBER+SUHNER RADOX RAILCAT CAT7 100 OHM 4X (2X2X24AWG) XM S
- Cable Nexans Filotex® 2PM577 FLAMEX - HALOGEN FREE 4x(2x0.25 mm<sup>2</sup>) ETHERNET CAT6A - tested up to 10meters
- Cable Nexans Filotex® 2PM615 FLAMEX - HALOGEN FREE ETHERNET CATEGORY 7 4x(2x0.25 mm<sup>2</sup>) - tested up to 10meters
- Cable Nexans Filotex® 2PM617 FLAMEX - HALOGEN FREE ETHERNET CATEGORY 7A 4x(2x0.25 mm<sup>2</sup>) - tested up to 10meters

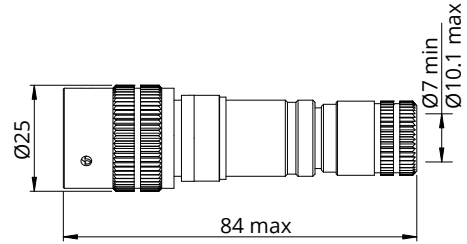
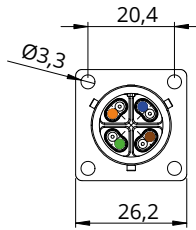
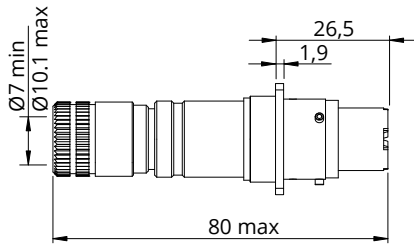


# EVBS-C7 - Bayonet Category 7 Connector

Ethernet Cat 6A - Ethernet Cat 7 - Ethernet Cat 7A

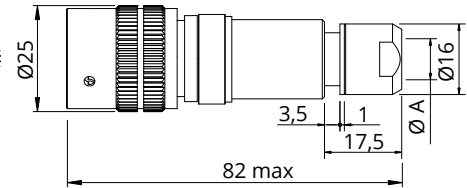
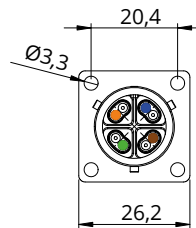
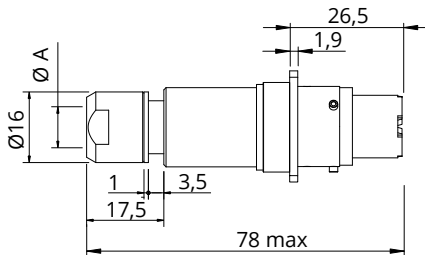


Panel Cut Out



EII

Double spring adapter (strain relief & shielding) for cable  $\varnothing 7 \div \varnothing 10,1$  mm



		$\varnothing A$
<b>GV</b>	GV Module for cables up to $\varnothing 9,3$ mm	9,3
<b>GV A07</b>	GV Module for cables up to $\varnothing 7,5$ mm	7,5
<b>GV A10</b>	GV Module for cables up to $\varnothing 10$ mm	10

Dimensions in mm

## Spare Parts



### Contacts pair Cat. 7A - C7 module

Part Number	Short Description	Gender
VS366241	GMM CP-S- C7	Socket
VS366242	GMM CP-P-C7	Pin

# EVBS SERIES - Modular Bayonet Connector

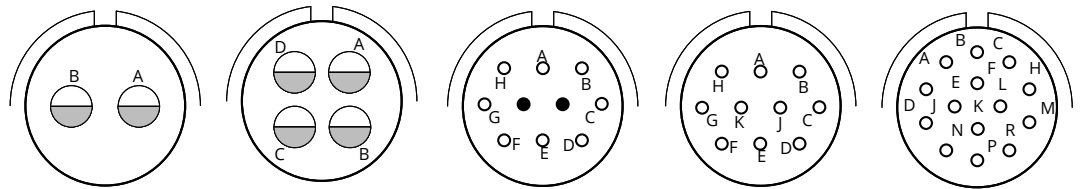
## Data Connectors and Signals



### Series characteristics:

- gold plated crimp contacts
- shield continuity
- rubber coated coupling nut
- conductive plating

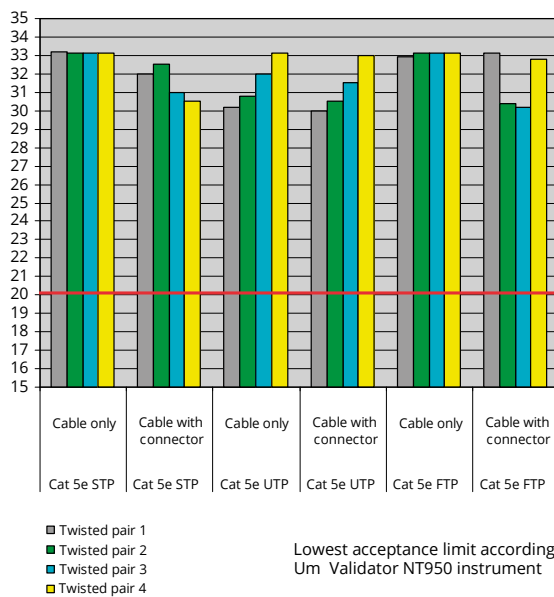
## Insulating Inserts



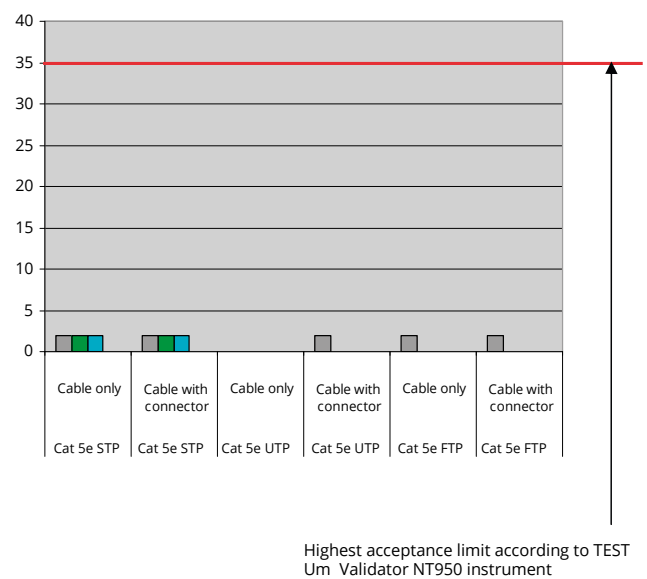
Insert Arrangement	14S-9	14S-2	14SZ8	14SZ10	14SZ14
N° of Contacts	2	4	8	10	14
Contact Size	16S	16S	20	20	20
Data/Signal	WTB	Cat. 5/MVB/RS485	Cat. 6/ Cat. 5E	7.5A/200V	7.5A/200V

Below data concern an unshielded 8 poles connector:

### SNR



### SKEW



### BERT

0 mistakes - with any cable



# EVBS SERIES - Modular Bayonet Connector

## Part number explanation

<b>RF</b>	<b>Insulating material</b>	<b>RF</b>	Fire resistant rubber (EN45545 R22- R23 / HL3)
<b>EVBS</b>	<b>Series Code</b>	<b>EVBS</b>	EVBS series
<b>303</b>	<b>Shell Material</b>	-	Aluminum
		<b>303</b>	Stainless Steel 303
<b>6</b>	<b>Shell Type</b>	<b>1</b>	In-line receptacle able to accept rear accessories.
		<b>2</b>	Front mounting receptacle connector able to accept rear accessories
		<b>3</b>	Rear mounting receptacle connector with thread to accept backshells
		<b>38 *</b>	Rear mounting receptacle connector with thread to accept backshells, with 90° elbow
		<b>70 *</b>	Rear mounting Jam Nut receptacle connector with thread to accept backshells. Mounting is made by a hexagonal fixing-nut
		<b>78 *</b>	Rear mounting Jam Nut receptacle connector with thread to accept back shells with 90° elbow. Mounting is made by a hexagonal fixing-nut
		<b>6</b>	Plug connector provided with grounding finger, for straight backshell, coupling nut rubber covered
		<b>8</b>	Plug connector provided with grounding finger, with 90° elbow, coupling nut rubber covered
<b>14S-9</b>	<b>Insert Arrangement</b>	<b>14S-9</b>	2 contacts size 16S (WTB)
		<b>14S-2</b>	4 contacts size 16S (Cat. 5/MVB/RS485)
		<b>14SZ8</b>	8 contacts size 20 (Cat. 6/ Cat. 5E)
		<b>14SZ10</b>	10 contacts size 20 (7.5A/200V)
		<b>14SZ14</b>	14 contacts size 20 (7.5A/200V)
<b>S</b>	<b>Contact Gender</b>	<b>S</b>	Socket contacts (Crimp contacts, Gold plating)
		<b>P</b>	Pin contacts (Crimp contacts, Gold plating)
<b>P1</b>	<b>Connector Class **</b>	<b>P1</b>	Cable Overall diameter 4-8mm
		<b>P2</b>	Cable Overall diameter 5-10mm
		<b>P3</b>	Cable Overall diameter 9-13mm
		<b>S1</b>	Cable Overall diameter 8.5-13mm These classes of connectors are all suitable for heat shrink tubing applications.
		<b>C1</b>	Adapter for crimping sleeve and heat shrink tube 9mm
		<b>C2</b>	Adapter for crimping sleeve and heat shrink tube 5mm
		<b>DAMxx</b>	Provided with an internal Metric thread
		<b>FSxxxx</b>	Provided with a special adapter for UNI4883 rubber conduits
		<b>AMKxx</b>	Provided with gasket and an iris spring connected to one another by an internal ring. The iris spring is used to connect multicore jacketed cables or jacketed hoses. Provided with an internal Metric thread
		<b>F5</b>	<b>Shell finishes</b>
<b>F16</b>	CCF - Black passivation - conductive ( <i>RoHS compliance</i> )		
<b>G</b>	<b>Panel Gasket</b>	-	Without gasket
		<b>G</b>	With waterproof panel gasket
		<b>G2</b>	With shielded panel gasket
		<b>G3</b>	With waterproof shielded panel gasket

\* On Request

\*\* Mandatory for 38 78 6 8 types

**P/N Sample: RF EVBS 303 6 14S-9P DAM F5**

## EVBS SERIES - Modular Bayonet Connector

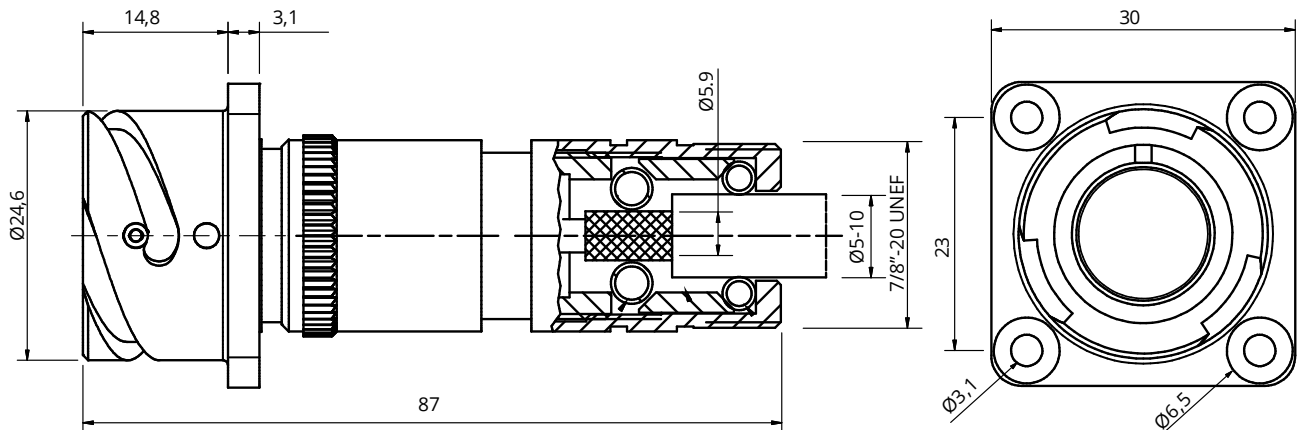
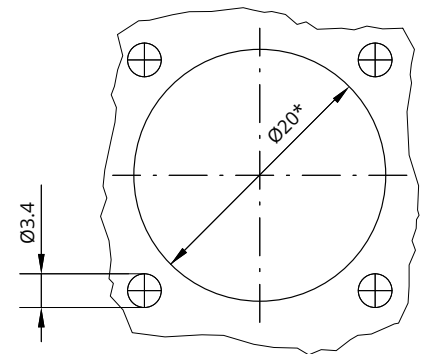
### Front mounting receptacle connector (2) with Backshell Class (P1-P2-P3)

To be used with connector provided with grounding finger to guarantee shielding; The iris spring is used to connect multicore jacketed cables or jacketed hoses. Supplied with countersunk holes.



Panel cut out

\* For installation with backshell mounted, consult our sales office.



Part Number	Short Description	N° Poles	Contact Gender	Type	Wire Section mm <sup>2</sup>	AWG	Contact Type	Contact plated
on request	RF EVBS 2 14S-9P P2 F16	2	Pin	WTB	0,15±0,6	26÷20	crimp	Gold
on request	RF EVBS 2 14S-2P P2 F16	4	Pin	Ethernet cat. 5 / MVB / RS485	0,15±0,6	26÷20	crimp	Gold
VS170501	RF EVBS 2 14SZ8P P2 F16	8	Pin	Ethernet cat. 6 / 5e	0,6	20	crimp	Gold
on request	RF EVBS 2 14SZ10P P2 F16	10	Pin	7,5A - 200V	0,6	20	crimp	Gold
on request	RF EVBS 2 14SZ14P P2 F16	14	Pin	7,5A - 200V	0,6	20	crimp	Gold
on request	RF EVBS 2 14S-9S P2 F16	2	Socket	WTB	0,15±0,6	26÷20	crimp	Gold
on request	RF EVBS 2 14S-2S P2 F16	4	Socket	Ethernet cat. 5 / MVB / RS485	0,15±0,6	26÷20	crimp	Gold
on request	RF EVBS 2 14SZ8S P2 F16	8	Socket	Ethernet cat. 6 / 5e	0,6	20	crimp	Gold
on request	RF EVBS 2 14SZ10S P2 F16	10	Socket	7,5A - 200V	0,6	20	crimp	Gold
on request	RF EVBS 2 14SZ14S P2 F16	14	Socket	7,5A - 200V	0,6	20	crimp	Gold

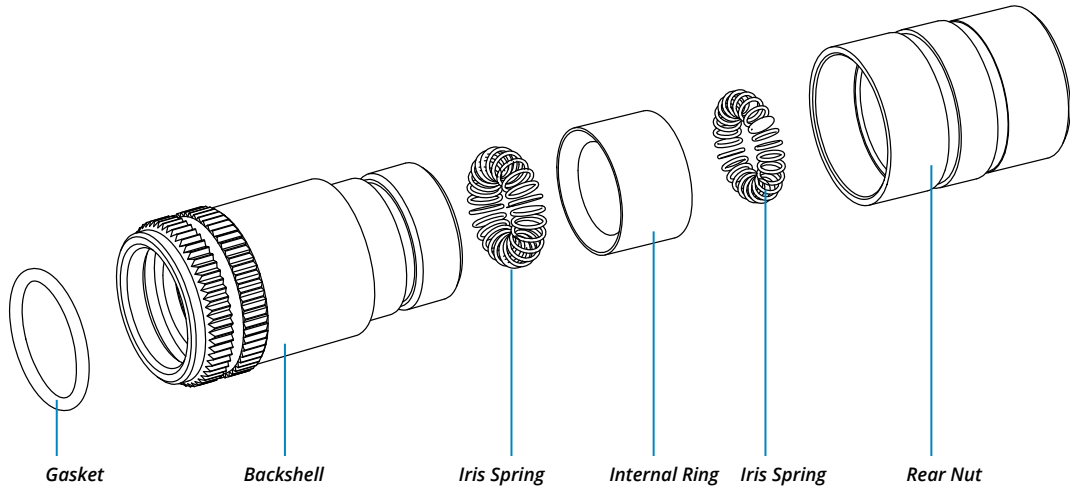
Dimensions in mm

Dimension "L" can be different from the value indicated according to backshells accessories, wires size and some special insert configurations.

# EVBS SERIES - Modular Bayonet Connector

## Front mounting receptacle connector (2) with Backshell Class (P1-P2-P3)

<b>RF</b>	<b>EVBS</b> Series Code	<b>303</b>	<b>2</b> Shell Type	<b>14S-9</b>	<b>S</b>	<b>Px</b> Connector Class	<b>F16</b>	<b>G</b>
-----------	----------------------------	------------	------------------------	--------------	----------	------------------------------	------------	----------



<b>RF</b>	<b>Insulating material</b>	<b>RF</b>	Fire resistant rubber (EN45545 R22- R23 / HL3)
<b>EVBS</b>	<b>Series Code</b>	<b>EVBS</b>	EVBS series
<b>303</b>	<b>Shell Material</b>	-	Aluminum
		<b>303</b>	Stainless Steel 303
<b>2</b>	<b>Shell Type</b>	<b>2</b>	Front mounting receptacle connector able to accept rear accessories
<b>14S-9</b>	<b>Insert Arrangement</b>	<b>14S-9</b>	2 contacts size 16S (WTB)
		<b>14S-2</b>	4 contacts size 16S (Cat. 5/MVB/RS485)
		<b>14SZ8</b>	8 contacts size 20 (Cat. 6/ Cat. 5E)
		<b>14SZ10</b>	10 contacts size 20 (7.5A/200V)
		<b>14SZ14</b>	14 contacts size 20 (7.5A/200V)
<b>S</b>	<b>Contact Gender</b>	<b>S</b>	Socket contacts (Crimp contacts, Gold plating)
		<b>P</b>	Pin contacts (Crimp contacts, Gold plating)
<b>Px</b>	<b>Connector Class **</b>	<b>P1</b>	Cable Overall diameter 4-8mm
		<b>P2</b>	Cable Overall diameter 5-10mm
		<b>P3</b>	Cable Overall diameter 9-13mm
<b>F16</b>	<b>Shell finishes</b>	<b>F5</b>	Electroless nickel ( <i>RoHS compliance</i> )
		<b>F16</b>	CCF - Black passivation - conductive ( <i>RoHS compliance</i> )
<b>G</b>	<b>Panel Gasket</b>	-	Without gasket
		<b>G</b>	With waterproof panel gasket
		<b>G2</b>	With shielded panel gasket
		<b>G3</b>	With waterproof shielded panel gasket

P/N Sample: RF EVBS 2 14S-9P P2 F16

## EVBS SERIES - Modular Bayonet Connector

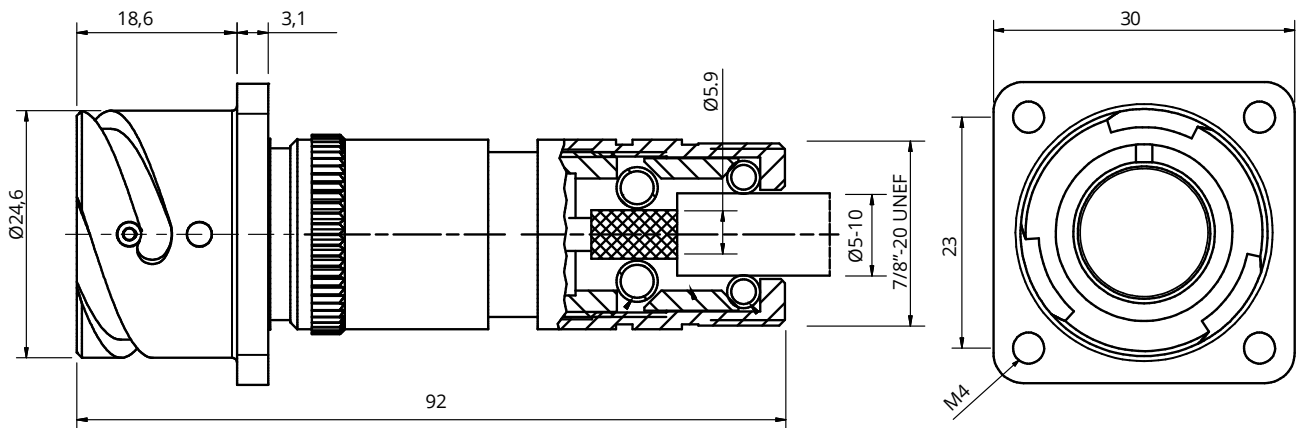
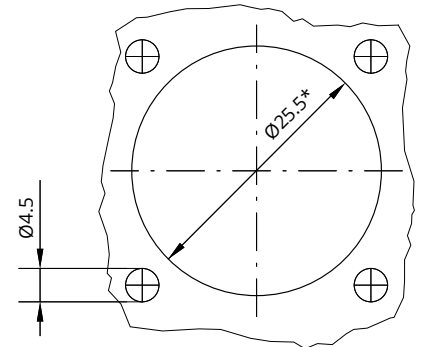
### Rear mounting receptacle connector (3) with Backshell Class (P1-P2-P3)

To be used with connector provided with grounding finger to guarantee shielding; The iris spring is used to connect multicore jacketed cables or jacketed hoses. Supplied with threaded holes.



Panel cut out

\* For installation with backshell mounted, consult our sales office.



Part Number	Short Description	N° Poles	Contact Gender	Type	Wire Section mm <sup>2</sup>	AWG	Contact Type	Contact plated
on request	RF EVBS 3 14S-9P P2 F16	2	Pin	WTB	0,15±0,6	26÷20	crimp	Gold
on request	RF EVBS 3 14S-2P P2 F16	4	Pin	Ethernet cat. 5 / MVB / RS485	0,15±0,6	26÷20	crimp	Gold
on request	RF EVBS 3 14SZ8P P2 F16	8	Pin	Ethernet cat. 6 / 5e	0,6	20	crimp	Gold
on request	RF EVBS 3 14SZ10P P2 F16	10	Pin	7,5A - 200V	0,6	20	crimp	Gold
on request	RF EVBS 3 14SZ14P P2 F16	14	Pin	7,5A - 200V	0,6	20	crimp	Gold
on request	RF EVBS 3 14S-9S P2 F16	2	Socket	WTB	0,15±0,6	26÷20	crimp	Gold
on request	RF EVBS 3 14S-2S P2 F16	4	Socket	Ethernet cat. 5 / MVB / RS485	0,15±0,6	26÷20	crimp	Gold
VS170531	RF EVBS 3 14SZ8S P2 F16	8	Socket	Ethernet cat. 6 / 5e	0,6	20	crimp	Gold
on request	RF EVBS 3 14SZ10S P2 F16	10	Socket	7,5A - 200V	0,6	20	crimp	Gold
on request	RF EVBS 3 14SZ14S P2 F16	14	Socket	7,5A - 200V	0,6	20	crimp	Gold

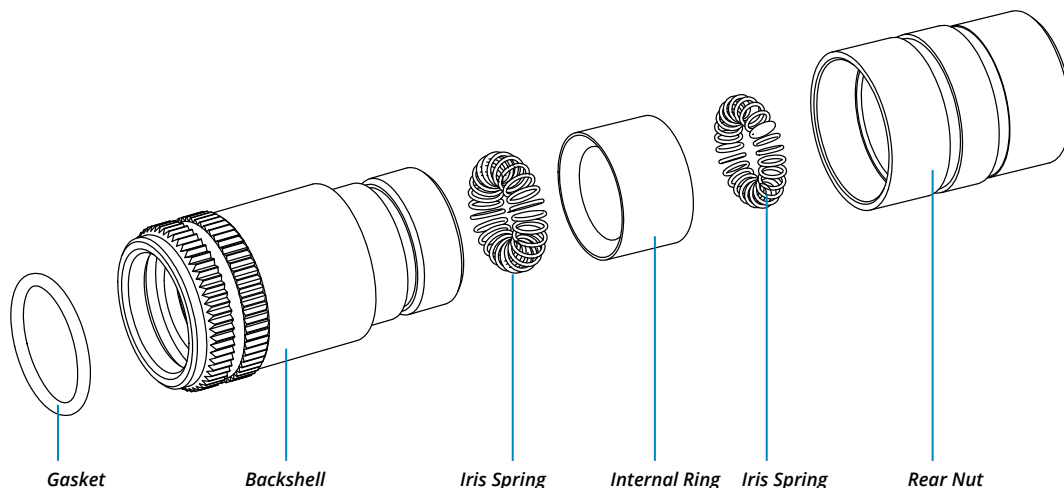
Dimensions in mm

Dimension "L" can be different from the value indicated according to backshells accessories, wires size and some special insert configurations.

# EVBS SERIES - Modular Bayonet Connector

## Rear mounting receptacle connector (3) with Backshell Class (P1-P2-P3)

<b>RF</b>	<b>EVBS</b>	<b>303</b>	<b>3</b>	<b>14S-9</b>	<b>S</b>	<b>Px</b>	<b>F16</b>	<b>G</b>
	Series Code		Shell Type			Connector Class		



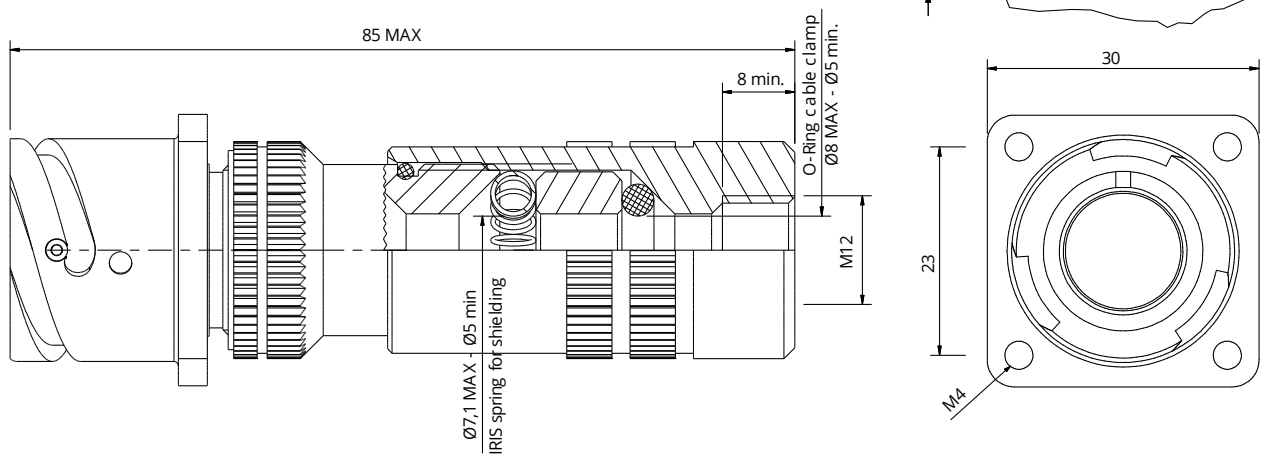
<b>RF</b>	<b>Insulating material</b>	<b>RF</b>	Fire resistant rubber (EN45545 R22- R23 / HL3)
<b>EVBS</b>	<b>Series Code</b>	<b>EVBS</b>	EVBS series
<b>303</b>	<b>Shell Material</b>	-	Aluminum
		<b>303</b>	Stainless Steel 303
<b>3</b>	<b>Shell Type</b>	<b>3</b>	Rear mounting receptacle connector with thread to accept backshells. Supplied with threaded holes.
<b>14S-9</b>	<b>Insert Arrangement</b>	<b>14S-9</b>	2 contacts size 16S (WTB)
		<b>14S-2</b>	4 contacts size 16S (Cat. 5/MVB/RS485)
		<b>14SZ8</b>	8 contacts size 20 (Cat. 6/ Cat. 5E)
		<b>14SZ10</b>	10 contacts size 20 (7.5A/200V)
		<b>14SZ14</b>	14 contacts size 20 (7.5A/200V)
<b>S</b>	<b>Contact Gender</b>	<b>S</b>	Socket contacts (Crimp contacts, Gold plating)
		<b>P</b>	Pin contacts (Crimp contacts, Gold plating)
<b>Px</b>	<b>Connector Class **</b>	<b>P1</b>	Cable Overall diameter 4-8mm
		<b>P2</b>	Cable Overall diameter 5-10mm
		<b>P3</b>	Cable Overall diameter 9-13mm
<b>F16</b>	<b>Shell finishes</b>	<b>F5</b>	Electroless nickel ( <i>RoHS compliance</i> )
		<b>F16</b>	CCF - Black passivation - conductive ( <i>RoHS compliance</i> )
<b>G</b>	<b>Panel Gasket</b>	-	Without gasket
		<b>G</b>	With waterproof panel gasket
		<b>G2</b>	With shielded panel gasket
		<b>G3</b>	With waterproof shielded panel gasket

P/N Sample: RF EVBS 3 14S-9P P2 F16

## EVBS SERIES - Modular Bayonet Connector

### Rear mounting receptacle connector (3) with Backshell Class (AMK)

To be used with connector provided with grounding finger to guarantee shielding; Provided with gasket and an iris spring connected to one another by an internal ring. The iris spring is used to connect multicore jacketed cables or jacketed hoses. Provided with an internal Metric thread. Supplied with threaded holes.



Part Number	Short Description	N° Poles	Contact Gender	Type	Wire Section mm <sup>2</sup>	AWG	Contact Type	Contact plated
on request	RF EVBS 3 14S-9P AMK12 F16	2	Pin	WTB	0,15±0,6	26±20	crimp	Gold
on request	RF EVBS 3 14S-2P AMK12 F16	4	Pin	Ethernet cat. 5 / MVB / RS485	0,15±0,6	26±20	crimp	Gold
on request	RF EVBS 3 14SZ8P AMK12 F16	8	Pin	Ethernet cat. 6 / 5e	0,6	20	crimp	Gold
on request	RF EVBS 3 14SZ10P AMK12 F16	10	Pin	7,5A - 200V	0,6	20	crimp	Gold
on request	RF EVBS 3 14SZ14P AMK12 F16	14	Pin	7,5A - 200V	0,6	20	crimp	Gold
on request	RF EVBS 3 14S-9S AMK12 F16	2	Socket	WTB	0,15±0,6	26±20	crimp	Gold
on request	RF EVBS 3 14S-2S AMK12 F16	4	Socket	Ethernet cat. 5 / MVB / RS485	0,15±0,6	26±20	crimp	Gold
on request	RF EVBS 3 14SZ8S AMK12 F16	8	Socket	Ethernet cat. 6 / 5e	0,6	20	crimp	Gold
on request	RF EVBS 3 14SZ10S AMK12 F16	10	Socket	7,5A - 200V	0,6	20	crimp	Gold
on request	RF EVBS 3 14SZ14S AMK12 F16	14	Socket	7,5A - 200V	0,6	20	crimp	Gold

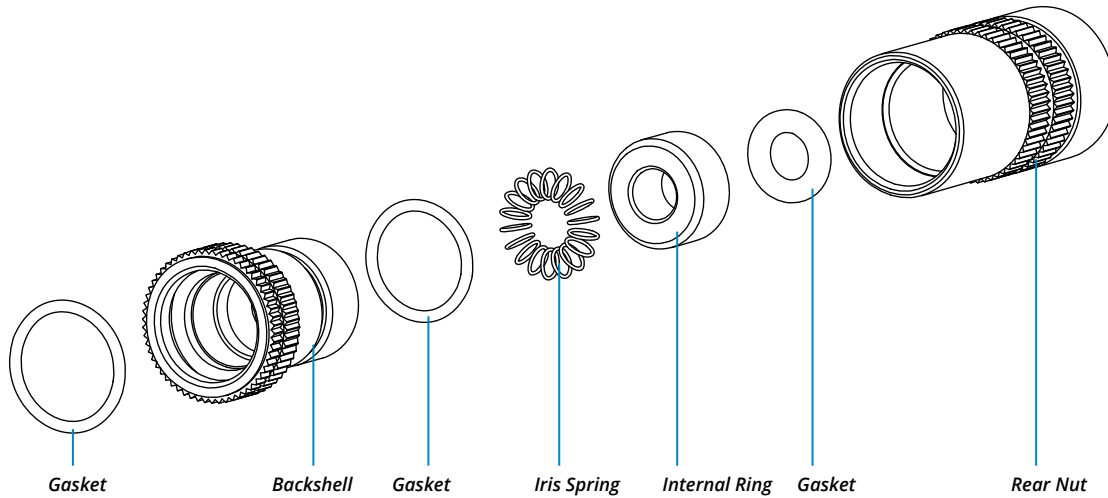
Dimensions in mm

Dimension "L" can be different from the value indicated according to backshells accessories, wires size and some special insert configurations.

# EVBS SERIES - Modular Bayonet Connector

Rear mounting receptacle connector (3) with Backshell Class (AMK)

<b>RF</b>	<b>EVBS</b> Series Code	<b>303</b>	<b>3</b> Shell Type	<b>14S-9</b>	<b>S</b>	<b>AMK12</b> Connector Class	<b>F16</b>	<b>G</b>
-----------	----------------------------	------------	------------------------	--------------	----------	---------------------------------	------------	----------



<b>RF</b>	<b>Insulating material</b>	<b>RF</b>	Fire resistant rubber (EN45545 R22- R23 / HL3)
<b>EVBS</b>	<b>Series Code</b>	<b>EVBS</b>	EVBS series
<b>303</b>	<b>Shell Material</b>	-	Aluminum
		<b>303</b>	Stainless Steel 303
<b>3</b>	<b>Shell Type</b>	<b>3</b>	Rear mounting receptacle connector with thread to accept backshells. Supplied with threaded holes.
<b>14S-9</b>	<b>Insert Arrangement</b>	<b>14S-9</b>	2 contacts size 16S (WTB)
		<b>14S-2</b>	4 contacts size 16S (Cat. 5/MVB/RS485)
		<b>14SZ8</b>	8 contacts size 20 (Cat. 6/ Cat. 5E)
		<b>14SZ10</b>	10 contacts size 20 (7.5A/200V)
		<b>14SZ14</b>	14 contacts size 20 (7.5A/200V)
<b>S</b>	<b>Contact Gender</b>	<b>S</b>	Socket contacts (Crimp contacts, Gold plating)
		<b>P</b>	Pin contacts (Crimp contacts, Gold plating)
<b>AMK12</b>	<b>Connector Class **</b>	<b>AMK12</b>	Provided with gasket and an iris spring connected to one another by an internal ring. The iris spring is used to connect multicore jacketed cables or jacketed hoses. Provided with a M12 internal Metric thread
<b>F16</b>	<b>Shell finishes</b>	<b>F5</b>	Electroless nickel ( <i>RoHS compliance</i> )
		<b>F16</b>	CCF - Black passivation - conductive ( <i>RoHS compliance</i> )
<b>G</b>	<b>Panel Gasket</b>	-	Without gasket
		<b>G</b>	With waterproof panel gasket
		<b>G2</b>	With shielded panel gasket
		<b>G3</b>	With waterproof shielded panel gasket

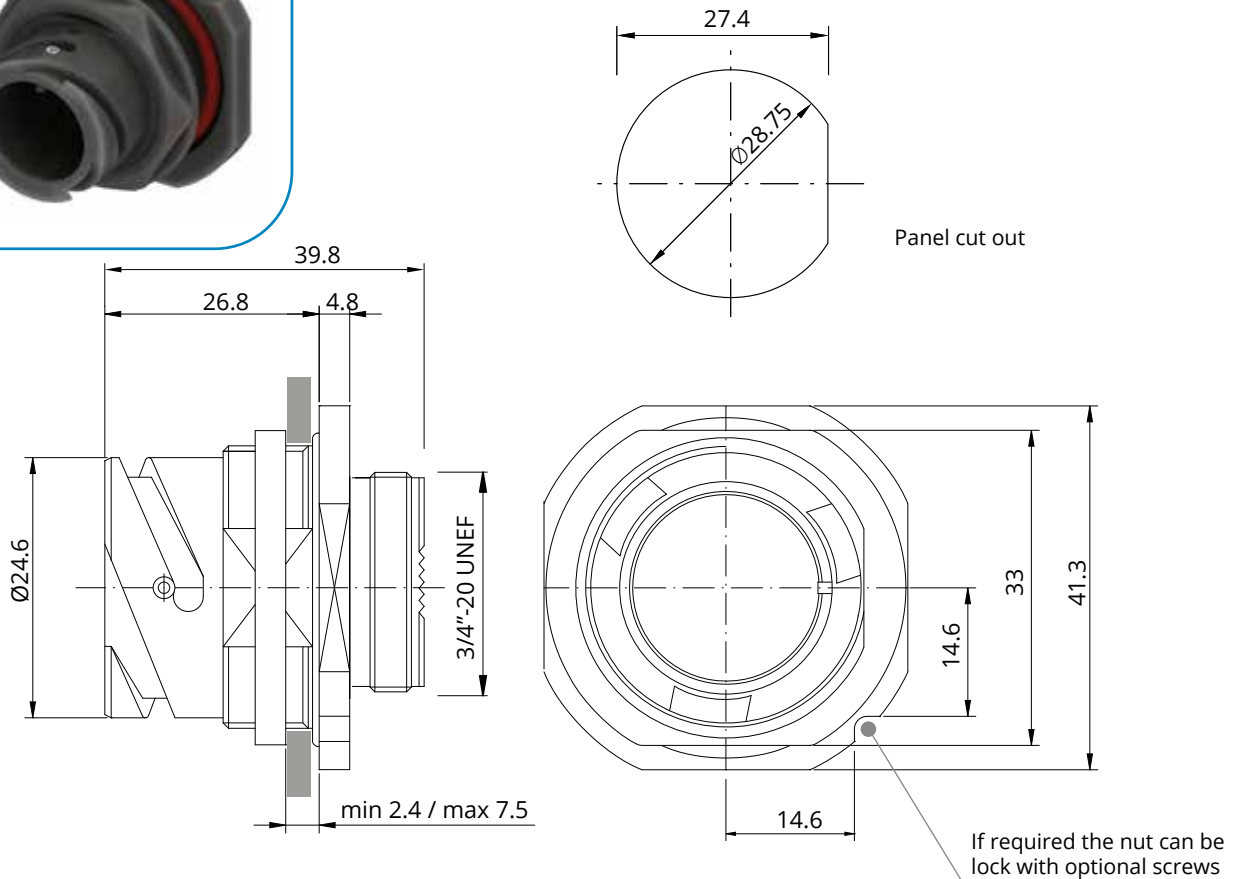
P/N Sample: RF EVBS 3 14S-9P AMK F16



## EVBS SERIES - Modular Bayonet Connector

### Rear Mounting Receptacle (70) without Accessories (To be purchased separately)

Mounting is made by a hexagonal coupling nut. It is supplied with sealing gasket to guarantee waterproof protection.



Part Number	Short Description	N° Poles	Contact Gender	Type	Wire Section mm <sup>2</sup>	AWG	Contact Type	Contact plated
on request	RF EVBS 70 14S-9P F16	2	Pin	WTB	0,15±0,6	26÷20	crimp	Gold
on request	RF EVBS 70 14S-2P F16	4	Pin	Ethernet cat. 5 / MVB / RS485	0,15±0,6	26÷20	crimp	Gold
on request	RF EVBS 70 14SZ8P F16	8	Pin	Ethernet cat. 6 / 5e	0,6	20	crimp	Gold
on request	RF EVBS 70 14SZ10P F16	10	Pin	7,5A - 200V	0,6	20	crimp	Gold
on request	RF EVBS 70 14SZ14P F16	14	Pin	7,5A - 200V	0,6	20	crimp	Gold
on request	RF EVBS 70 14S-9S F16	2	Socket	WTB	0,15±0,6	26÷20	crimp	Gold
on request	RF EVBS 70 14S-2S F16	4	Socket	Ethernet cat. 5 / MVB / RS485	0,15±0,6	26÷20	crimp	Gold
on request	RF EVBS 70 14SZ8S F16	8	Socket	Ethernet cat. 6 / 5e	0,6	20	crimp	Gold
on request	RF EVBS 70 14SZ10S F16	10	Socket	7,5A - 200V	0,6	20	crimp	Gold
on request	RF EVBS 70 14SZ14S F16	14	Socket	7,5A - 200V	0,6	20	crimp	Gold

Dimensions in mm

Dimension "L" can be different from the value indicated according to backshells accessories, wires size and some special insert configurations.

# EVBS SERIES - Modular Bayonet Connector

Rear Mounting Receptacle (70) without Accessories (To be purchased separately)

<b>RF</b>	<b>EVBS</b>	<b>303</b>	<b>70</b>	<b>14S-9</b>	<b>S</b>	<b>F16</b>
	Series Code		Shell Type			

<b>RF</b>	<b>Insulating material</b>	<b>RF</b>	Fire resistant rubber (EN45545 R22- R23 / HL3)
<b>EVBS</b>	<b>Series Code</b>	<b>EVBS</b>	EVBS series
<b>303</b>	<b>Shell Material</b>	-	Aluminum
		<b>303</b>	Stainless Steel 303
<b>70</b>	<b>Shell Type</b>	<b>70 *</b>	Rear mounting Jam Nut receptacle connector with thread to accept backshells. Mounting is made by a hexagonal fixing-nut
		<b>14S-9</b>	2 contacts size 16S (WTB)
		<b>14S-2</b>	4 contacts size 16S (Cat. 5/MVB/RS485)
<b>14S-9</b>	<b>Insert Arrangement</b>	<b>14SZ8</b>	8 contacts size 20 (Cat. 6/ Cat. 5E)
		<b>14SZ10</b>	10 contacts size 20 (7.5A/200V)
		<b>14SZ14</b>	14 contacts size 20 (7.5A/200V)
<b>S</b>	<b>Contact Gender</b>	<b>S</b>	Socket contacts (Crimp contacts, Gold plating)
		<b>P</b>	Pin contacts (Crimp contacts, Gold plating)
<b>F5</b>	<b>Shell finishes</b>	<b>F5</b>	Electroless nickel ( <i>RoHS compliance</i> )
		<b>F16</b>	CCF - Black passivation - conductive ( <i>RoHS compliance</i> )

\* On Request

**P/N Sample: RF EVBS 303 70 14S-9P F16**

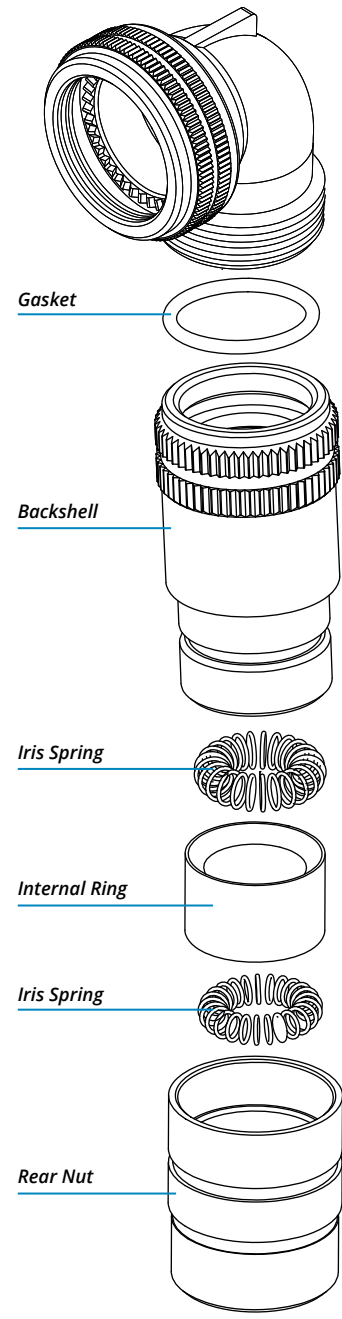


# EVBS SERIES - Modular Bayonet Connector

## Rear Mounting Receptacle (78) with 90° Elbow Class (P1-P2-P3)

<b>RF</b>	<b>EVBS</b> Series Code	<b>303</b>	<b>78</b> Shell Type	<b>14S-9</b>	<b>S</b>	<b>Px</b> Connector Class	<b>F16</b>
-----------	----------------------------	------------	-------------------------	--------------	----------	------------------------------	------------

<b>RF</b>	<b>Insulating material</b>	<b>RF</b>	Fire resistant rubber (EN45545 R22-R23 / HL3)
<b>EVBS</b>	<b>Series Code</b>	<b>EVBS</b>	EVBS series
<b>303</b>	<b>Shell Material</b>	-	Aluminum
		<b>303</b>	Stainless Steel 303
<b>78</b>	<b>Shell Type</b>	<b>78</b>	Rear mounting Jam Nut receptacle connector with thread to accept back shells with 90° elbow.
		<b>14S-9</b>	2 contacts size 16S (WTB)
		<b>14S-2</b>	4 contacts size 16S (Cat. 5/MVB/RS485)
<b>14S-9</b>	<b>Insert Arrangement</b>	<b>14SZ8</b>	8 contacts size 20 (Cat. 6/ Cat. 5E)
		<b>14SZ10</b>	10 contacts size 20 (7.5A/200V)
		<b>14SZ14</b>	14 contacts size 20 (7.5A/200V)
<b>S</b>	<b>Contact Gender</b>	<b>S</b>	Socket contacts (Crimp contacts, Gold plating)
		<b>P</b>	Pin contacts (Crimp contacts, Gold plating)
		<b>P1</b>	Cable Overall diameter 4-8mm
<b>Px</b>	<b>Connector Class **</b>	<b>P2</b>	Cable Overall diameter 5-10mm
		<b>P3</b>	Cable Overall diameter 9-13mm
<b>F16</b>	<b>Shell finishes</b>	<b>F5</b>	Electroless nickel (RoHS compliance)
		<b>F16</b>	CCF - Black passivation - conductive (RoHS compliance)

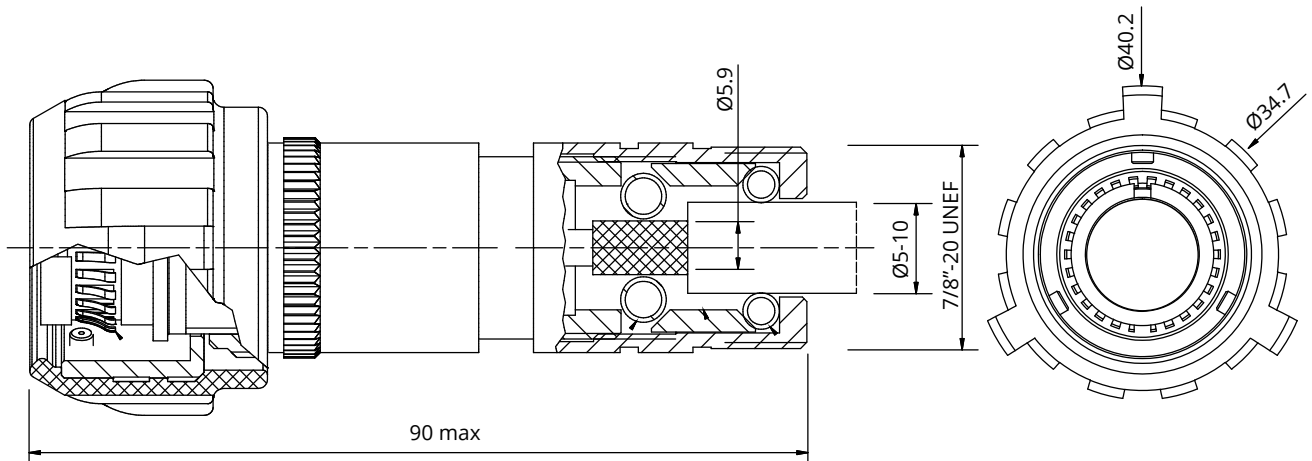


P/N Sample: RF EVBS 78 14S-9P P2 F16

## EVBS SERIES - Modular Bayonet Connector

### Plug connector with rubber covered coupling nut (6) with Backshell Class (P1-P2-P3)

Connector provided with grounding finger to guarantee shielding; The iris spring is used to connect multicore jacketed cables or jacketed hoses. Rubber covered coupling nut able to protect against dust and impact.



Part Number	Short Description	N° Poles	Contact Gender	Type	Wire Section mm <sup>2</sup>	AWG	Contact Type	Contact plated
on request	RF EVBS 6 14S-9P P2 F16	2	Pin	WTB	0,15±0,6	26÷20	crimp	Gold
170513	RF EVBS 6 14S-2P P2 F16	4	Pin	Ethernet cat. 5 / MVB / RS485	0,15±0,6	26÷20	crimp	Gold
on request	RF EVBS 6 14SZ8P P2 F16	8	Pin	Ethernet cat. 6 / 5e	0,6	20	crimp	Gold
on request	RF EVBS 6 14SZ10P P2 F16	10	Pin	7,5A - 200V	0,6	20	crimp	Gold
on request	RF EVBS 6 14SZ14P P2 F16	14	Pin	7,5A - 200V	0,6	20	crimp	Gold
on request	RF EVBS 6 14S-9S P2 F16	2	Socket	WTB	0,15±0,6	26÷20	crimp	Gold
on request	RF EVBS 6 14S-2S P2 F16	4	Socket	Ethernet cat. 5 / MVB / RS485	0,15±0,6	26÷20	crimp	Gold
170502	RF EVBS 6 14SZ8S P2 F16	8	Socket	Ethernet cat. 6 / 5e	0,6	20	crimp	Gold
on request	RF EVBS 6 14SZ10S P2 F16	10	Socket	7,5A - 200V	0,6	20	crimp	Gold
on request	RF EVBS 6 14SZ14S P2 F16	14	Socket	7,5A - 200V	0,6	20	crimp	Gold

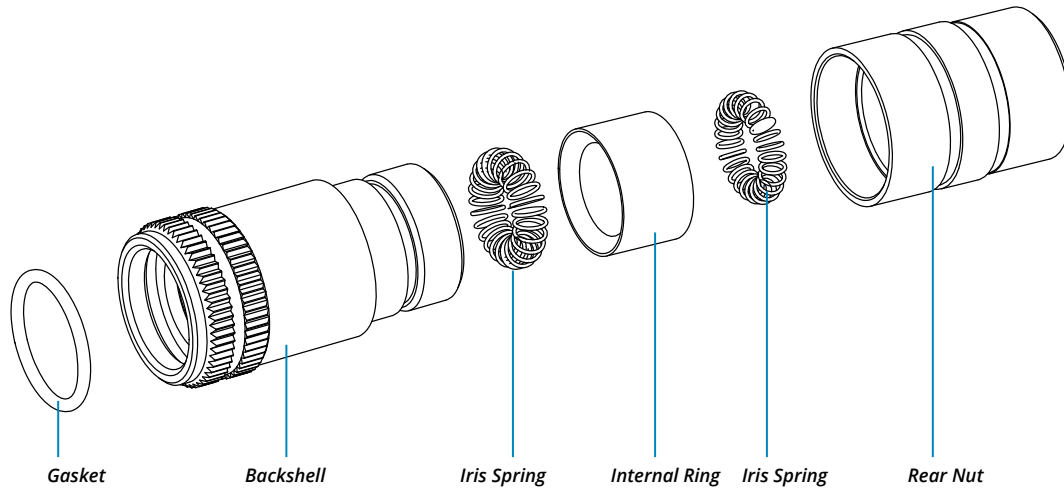
Dimensions in mm

Dimension "L" can be different from the value indicated according to backshells accessories, wires size and some special insert configurations.

# EVBS SERIES - Modular Bayonet Connector

Plug connector with rubber covered coupling nut (6) with Backshell Class (P1-P2-P3)

<b>RF</b>	<b>EVBS</b> Series Code	<b>303</b>	<b>6</b> Shell Type	<b>14S-9</b>	<b>S</b>	<b>Px</b> Connector Class	<b>F16</b>
-----------	----------------------------	------------	------------------------	--------------	----------	------------------------------	------------



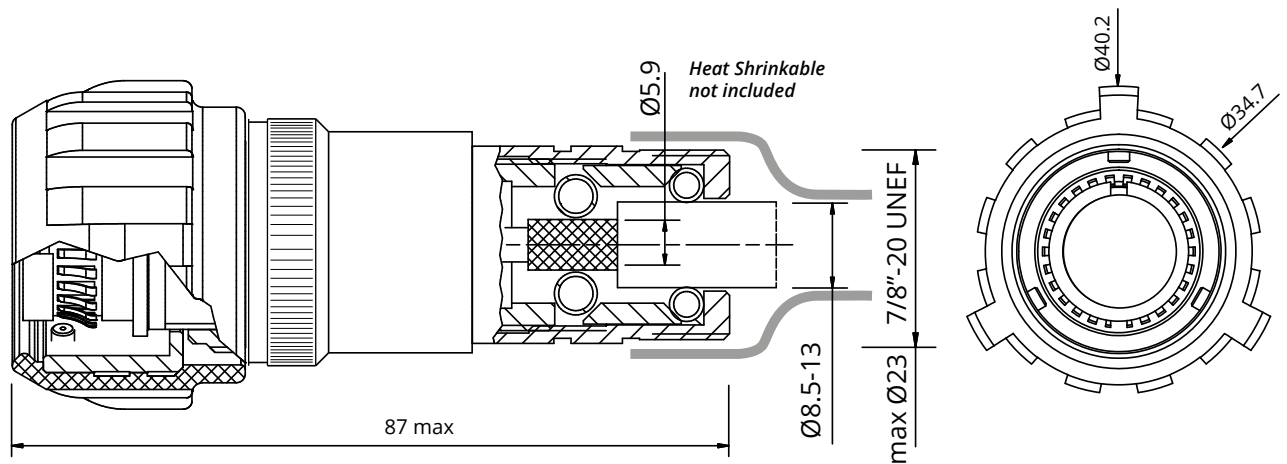
<b>RF</b>	<b>Insulating material</b>	<b>RF</b>	Fire resistant rubber (EN45545 R22- R23 / HL3)
<b>EVBS</b>	<b>Series Code</b>	<b>EVBS</b>	EVBS series
<b>303</b>	<b>Shell Material</b>	-	Aluminum
		<b>303</b>	Stainless Steel 303
<b>6</b>	<b>Shell Type</b>	<b>6</b>	Plug connector provided with grounding finger, for straight backshell, coupling nut rubber covered
<b>14S-9</b>	<b>Insert Arrangement</b>	<b>14S-9</b>	2 contacts size 16S (WTB)
		<b>14S-2</b>	4 contacts size 16S (Cat. 5/MVB/RS485)
		<b>14SZ8</b>	8 contacts size 20 (Cat. 6/ Cat. 5E)
		<b>14SZ10</b>	10 contacts size 20 (7.5A/200V)
		<b>14SZ14</b>	14 contacts size 20 (7.5A/200V)
<b>S</b>	<b>Contact Gender</b>	<b>S</b>	Socket contacts (Crimp contacts, Gold plating)
		<b>P</b>	Pin contacts (Crimp contacts, Gold plating)
<b>Px</b>	<b>Connector Class **</b>	<b>P1</b>	Cable Overall diameter 4-8mm
		<b>P2</b>	Cable Overall diameter 5-10mm
		<b>P3</b>	Cable Overall diameter 9-13mm
<b>F16</b>	<b>Shell finishes</b>	<b>F5</b>	Electroless nickel ( <i>RoHS compliance</i> )
		<b>F16</b>	CCF - Black passivation - conductive ( <i>RoHS compliance</i> )

P/N Sample: RF EVBS 6 14S-9P P2 F16

## EVBS SERIES - Modular Bayonet Connector

### Plug connector with rubber covered coupling nut (6) with Backshell Class (S1)

Connector provided with grounding finger to guarantee shielding;  
These classes of connectors are all suitable for heat shrink tubing applications.  
Rubber covered coupling nut able to protect against dust and impact.



Part Number	Short Description	N° Poles	Contact Gender	Type	Wire Section mm <sup>2</sup>	AWG	Contact Type	Contact plated
on request	RF EVBS 6 14S-9P S1 F16	2	Pin	WTB	0,15±0,6	26÷20	crimp	Gold
on request	RF EVBS 6 14S-2P S1 F16	4	Pin	Ethernet cat. 5 / MVB / RS485	0,15±0,6	26÷20	crimp	Gold
on request	RF EVBS 6 14SZ8P S1 F16	8	Pin	Ethernet cat. 6 / 5e	0,6	20	crimp	Gold
on request	RF EVBS 6 14SZ10P S1 F16	10	Pin	7,5A - 200V	0,6	20	crimp	Gold
on request	RF EVBS 6 14SZ14P S1 F16	14	Pin	7,5A - 200V	0,6	20	crimp	Gold
on request	RF EVBS 6 14S-9S S1 F16	2	Socket	WTB	0,15±0,6	26÷20	crimp	Gold
on request	RF EVBS 6 14S-2S S1 F16	4	Socket	Ethernet cat. 5 / MVB / RS485	0,15±0,6	26÷20	crimp	Gold
on request	RF EVBS 6 14SZ8S S1 F16	8	Socket	Ethernet cat. 6 / 5e	0,6	20	crimp	Gold
on request	RF EVBS 6 14SZ10S S1 F16	10	Socket	7,5A - 200V	0,6	20	crimp	Gold
on request	RF EVBS 6 14SZ14S S1 F16	14	Socket	7,5A - 200V	0,6	20	crimp	Gold

Dimensions in mm

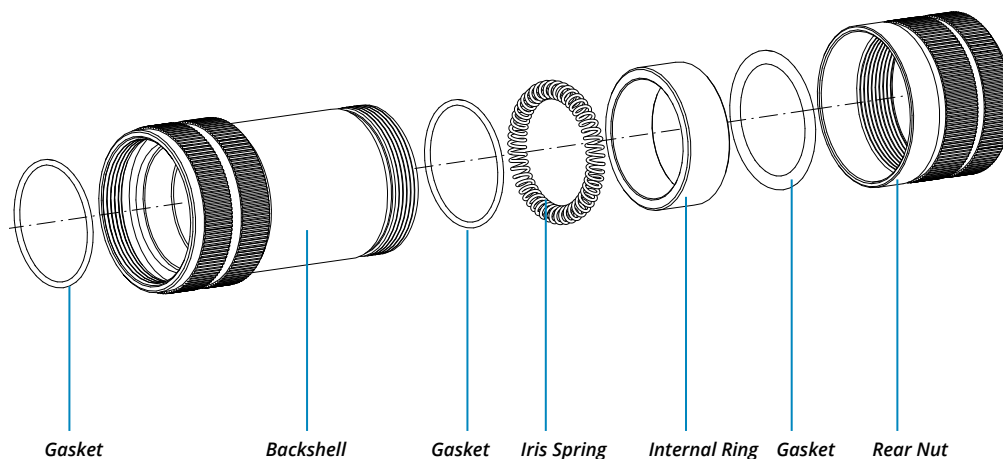
Dimension "L" can be different from the value indicated according to backshells accessories, wires size and some special insert configurations.



# EVBS SERIES - Modular Bayonet Connector

Plug connector with rubber covered coupling nut (6) with Backshell Class (S1)

<b>RF</b>	<b>EVBS</b> Series Code	<b>303</b>	<b>6</b> Shell Type	<b>14S-9</b>	<b>S</b>	<b>S1</b> Connector Class	<b>F16</b>
-----------	----------------------------	------------	------------------------	--------------	----------	------------------------------	------------



<b>RF</b>	<b>Insulating material</b>	<b>RF</b>	Fire resistant rubber (EN45545 R22- R23 / HL3)
<b>EVBS</b>	<b>Series Code</b>	<b>EVBS</b>	EVBS series
<b>303</b>	<b>Shell Material</b>	-	Aluminum
		<b>303</b>	Stainless Steel 303
<b>6</b>	<b>Shell Type</b>	<b>6</b>	Plug connector provided with grounding finger, for straight backshell, coupling nut rubber covered
		<b>14S-9</b>	2 contacts size 16S (WTB)
		<b>14S-2</b>	4 contacts size 16S (Cat. 5/MVB/RS485)
<b>14S-9</b>	<b>Insert Arrangement</b>	<b>14SZ8</b>	8 contacts size 20 (Cat. 6/ Cat. 5E)
		<b>14SZ10</b>	10 contacts size 20 (7.5A/200V)
		<b>14SZ14</b>	14 contacts size 20 (7.5A/200V)
<b>S</b>	<b>Contact Gender</b>	<b>S</b>	Socket contacts (Crimp contacts, Gold plating)
		<b>P</b>	Pin contacts (Crimp contacts, Gold plating)
<b>S1</b>	<b>Connector Class **</b>	<b>S1</b>	Cable Overall diameter 8.5-13mm These classes of connectors are all suitable for heat shrink tubing applications.
<b>F16</b>	<b>Shell finishes</b>	<b>F5</b>	Electroless nickel ( <i>RoHS compliance</i> )
		<b>F16</b>	CCF - Black passivation - conductive ( <i>RoHS compliance</i> )

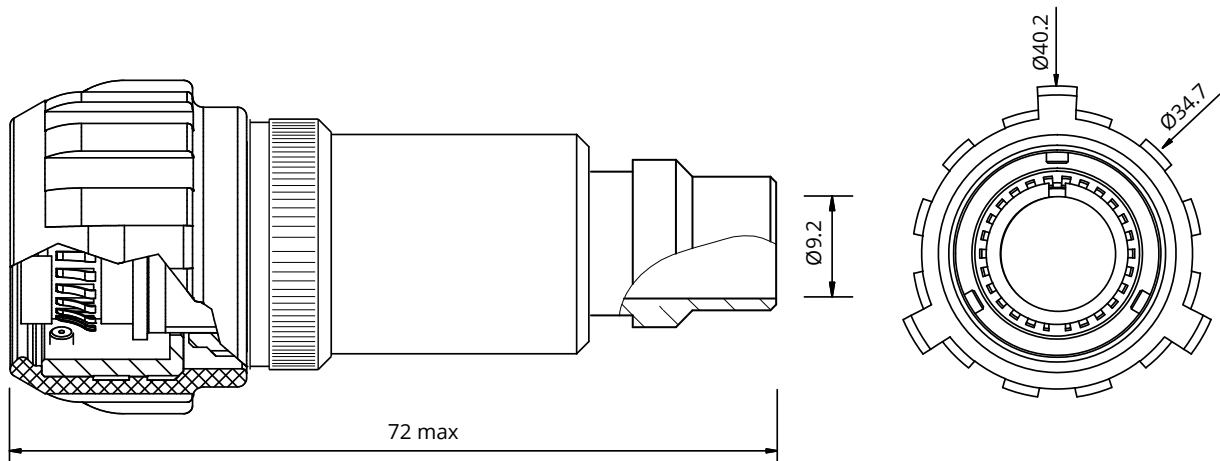
P/N Sample: RF EVBS 6 14S-9P S1F16

## EVBS SERIES - Modular Bayonet Connector

### Plug connector with rubber covered coupling nut (6) with Backshell Class (C1-C2)

Connector provided with grounding finger to guarantee shielding;

Adapter for crimping sleeve and heat shrink tube. Rubber covered coupling nut able to protect against dust and impact.



Part Number	Short Description	N° Poles	Contact Gender	Type	Wire Section mm <sup>2</sup>	AWG	Contact Type	Contact plated
on request	RF EVBS 6 14S-9P C1 F16	2	Pin	WTB	0,15±0,6	26÷20	crimp	Gold
on request	RF EVBS 6 14S-2P C1 F16	4	Pin	Ethernet cat. 5 / MVB / RS485	0,15±0,6	26÷20	crimp	Gold
on request	RF EVBS 6 14SZ8P C1 F16	8	Pin	Ethernet cat. 6 / 5e	0,6	20	crimp	Gold
on request	RF EVBS 6 14SZ10P C1 F16	10	Pin	7,5A - 200V	0,6	20	crimp	Gold
on request	RF EVBS 6 14SZ14P C1 F16	14	Pin	7,5A - 200V	0,6	20	crimp	Gold
on request	RF EVBS 6 14S-9S C1 F16	2	Socket	WTB	0,15±0,6	26÷20	crimp	Gold
on request	RF EVBS 6 14S-2S C1 F16	4	Socket	Ethernet cat. 5 / MVB / RS485	0,15±0,6	26÷20	crimp	Gold
on request	RF EVBS 6 14SZ8S C1 F16	8	Socket	Ethernet cat. 6 / 5e	0,6	20	crimp	Gold
on request	RF EVBS 6 14SZ10S C1 F16	10	Socket	7,5A - 200V	0,6	20	crimp	Gold
on request	RF EVBS 6 14SZ14S C1 F16	14	Socket	7,5A - 200V	0,6	20	crimp	Gold

Dimensions in mm

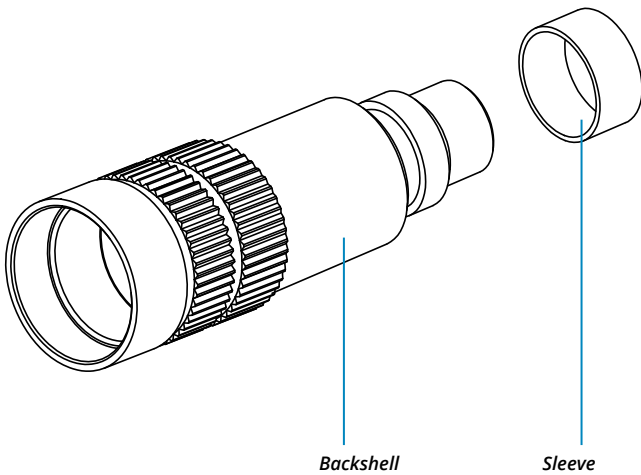
Dimension "L" can be different from the value indicated according to backshells accessories, wires size and some special insert configurations.

# EVBS SERIES - Modular Bayonet Connector

Plug connector with rubber covered coupling nut (6) with Backshell Class (C1-C2)

<b>RF</b>	<b>EVBS</b> Series Code	<b>303</b>	<b>6</b> Shell Type	<b>14S-9</b>	<b>S</b>	<b>C1</b> Connector Class	<b>F16</b>
-----------	----------------------------	------------	------------------------	--------------	----------	------------------------------	------------

Description	Van-System P/N
Manual Crimp Tool for Shielding	CRT-SH30L
Crimp Die for Shielding Sleeve Ø 6mm	CDI-30K06
Crimp Die for Shielding Sleeve Ø 9mm	CDI-30K09



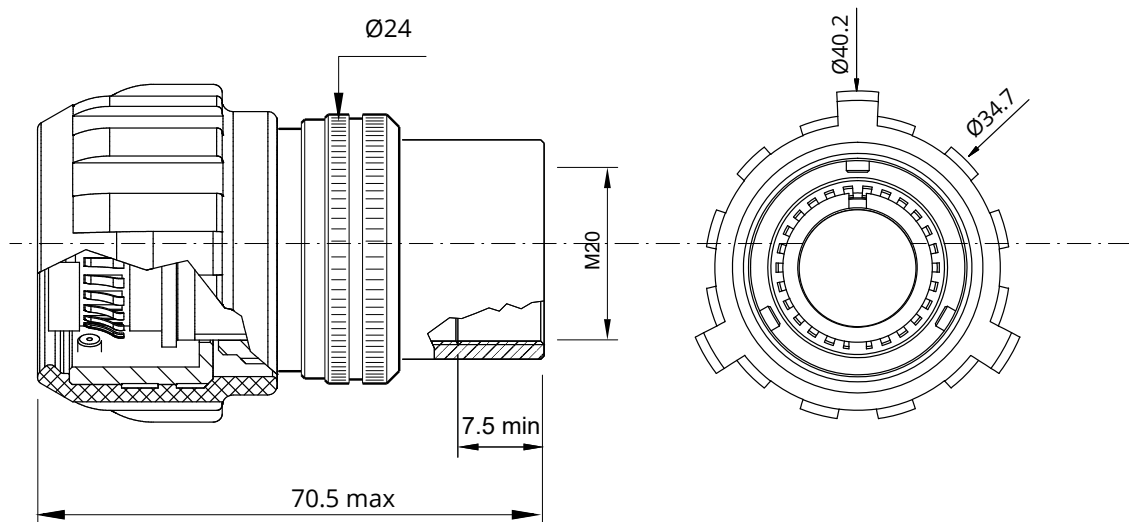
<b>RF</b>	<b>Insulating material</b>	<b>RF</b>	Fire resistant rubber (EN45545 R22- R23 / HL3)
<b>EVBS</b>	<b>Series Code</b>	<b>EVBS</b>	EVBS series
<b>303</b>	<b>Shell Material</b>	-	Aluminum
		<b>303</b>	Stainless Steel 303
<b>6</b>	<b>Shell Type</b>	<b>6</b>	Plug connector provided with grounding finger, for straight backshell, coupling nut rubber covered
		<b>14S-9</b>	2 contacts size 16S (WTB)
		<b>14S-2</b>	4 contacts size 16S (Cat. 5/MVB/RS485)
<b>14S-9</b>	<b>Insert Arrangement</b>	<b>14SZ8</b>	8 contacts size 20 (Cat. 6/ Cat. 5E)
		<b>14SZ10</b>	10 contacts size 20 (7.5A/200V)
		<b>14SZ14</b>	14 contacts size 20 (7.5A/200V)
<b>S</b>	<b>Contact Gender</b>	<b>S</b>	Socket contacts (Crimp contacts, Gold plating)
		<b>P</b>	Pin contacts (Crimp contacts, Gold plating)
<b>C1</b>	<b>Connector Class **</b>	<b>C1</b>	Adapter for crimping sleeve and heat shrink tube 9mm
		<b>C2</b>	Adapter for crimping sleeve and heat shrink tube 5mm
<b>F16</b>	<b>Shell finishes</b>	<b>F5</b>	Electroless nickel ( <i>RoHS compliance</i> )
		<b>F16</b>	CCF - Black passivation - conductive ( <i>RoHS compliance</i> )

P/N Sample: RF EVBS 6 14S-9P C1F16

## EVBS SERIES - Modular Bayonet Connector

### Plug connector with rubber covered coupling nut (6) with Backshell Class (DAM)

Connector provided with grounding finger to guarantee shielding;  
 Connector with backshell provided with an internal Metric thread suitable for cable glands or conduit adapters.  
 Rubber covered coupling nut able to protect against dust and impact.



Part Number	Short Description	N° Poles	Contact Gender	Type	Wire Section mm <sup>2</sup>	AWG	Contact Type	Contact plated
on request	RF EVBS 6 14S-9P DAM20 F16	2	Pin	WTB	0,15÷0,6	26÷20	crimp	Gold
on request	RF EVBS 6 14S-2P DAM20 F16	4	Pin	Ethernet cat. 5 / MVB / RS485	0,15÷0,6	26÷20	crimp	Gold
on request	RF EVBS 6 14SZ8P DAM20 F16	8	Pin	Ethernet cat. 6 / 5e	0,6	20	crimp	Gold
on request	RF EVBS 6 14SZ10P DAM20 F16	10	Pin	7,5A - 200V	0,6	20	crimp	Gold
on request	RF EVBS 6 14SZ14P DAM20 F16	14	Pin	7,5A - 200V	0,6	20	crimp	Gold
on request	RF EVBS 6 14S-9S DAM20 F16	2	Socket	WTB	0,15÷0,6	26÷20	crimp	Gold
on request	RF EVBS 6 14S-2S DAM20 F16	4	Socket	Ethernet cat. 5 / MVB / RS485	0,15÷0,6	26÷20	crimp	Gold
on request	RF EVBS 6 14SZ8S DAM20 F16	8	Socket	Ethernet cat. 6 / 5e	0,6	20	crimp	Gold
on request	RF EVBS 6 14SZ10S DAM20 F16	10	Socket	7,5A - 200V	0,6	20	crimp	Gold
on request	RF EVBS 6 14SZ14S DAM20 F16	14	Socket	7,5A - 200V	0,6	20	crimp	Gold

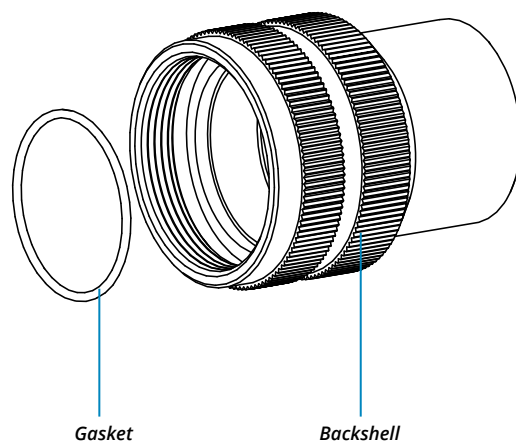
Dimensions in mm

Dimension "L" can be different from the value indicated according to backshells accessories, wires size and some special insert configurations.

# EVBS SERIES - Modular Bayonet Connector

Plug connector with rubber covered coupling nut (6) with Backshell Class (DAM)

<b>RF</b>	<b>EVBS</b> Series Code	<b>303</b>	<b>6</b> Shell Type	<b>14S-9</b>	<b>S</b>	<b>DAM20</b> Connector Class	<b>F16</b>
-----------	----------------------------	------------	------------------------	--------------	----------	---------------------------------	------------



<b>RF</b>	<b>Insulating material</b>	<b>RF</b>	Fire resistant rubber (EN45545 R22- R23 / HL3)
<b>EVBS</b>	<b>Series Code</b>	<b>EVBS</b>	EVBS series
<b>303</b>	<b>Shell Material</b>	-	Aluminum
		<b>303</b>	Stainless Steel 303
<b>6</b>	<b>Shell Type</b>	<b>6</b>	Plug connector provided with grounding finger, for straight backshell, coupling nut rubber covered
<b>14S-9</b>	<b>Insert Arrangement</b>	<b>14S-9</b>	2 contacts size 16S (WTB)
		<b>14S-2</b>	4 contacts size 16S (Cat. 5/MVB/RS485)
		<b>14SZ8</b>	8 contacts size 20 (Cat. 6/ Cat. 5E)
		<b>14SZ10</b>	10 contacts size 20 (7.5A/200V)
		<b>14SZ14</b>	14 contacts size 20 (7.5A/200V)
<b>S</b>	<b>Contact Gender</b>	<b>S</b>	Socket contacts (Crimp contacts, Gold plating)
		<b>P</b>	Pin contacts (Crimp contacts, Gold plating)
<b>DAM20</b>	<b>Connector Class **</b>	<b>DAM20</b>	Provided with a M20 internal Metric thread (M12 - M16 - M25 on request)
<b>F16</b>	<b>Shell finishes</b>	<b>F5</b>	Electroless nickel ( <i>RoHS compliance</i> )
		<b>F16</b>	CCF - Black passivation - conductive ( <i>RoHS compliance</i> )

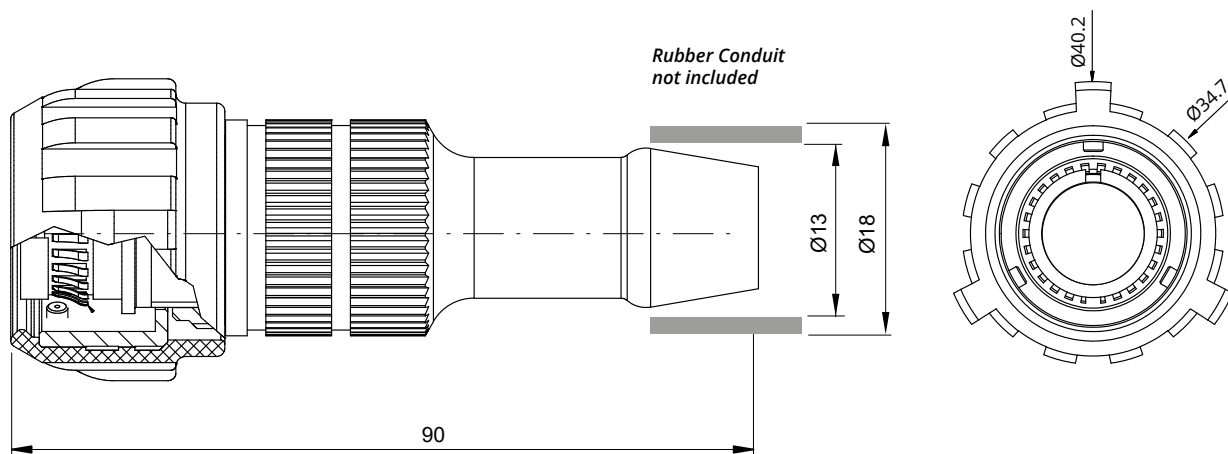
P/N Sample: RF EVBS 6 14S-9P DAM20 F16

## EVBS SERIES - Modular Bayonet Connector

### Plug connector with rubber covered coupling nut (6) with Backshell Class (FS)

Connector provided with grounding finger to guarantee shielding;

Connector with special adapter for rubber conduits. Conduit's size must be specified adding the diameter dimensions in the P/N (i.e.: EVBS 6 ... FS1318 ... ). Rubber covered coupling nut able to protect against dust and impact.



Please consult our Sales Office for further details about this dimension and according to conduit size.

Part Number	Short Description	N° Poles	Contact Gender	Type	Wire Section mm <sup>2</sup>	AWG	Contact Type	Contact plated
on request	RF EVBS 6 14S-9P FS1318 F16	2	Pin	WTB	0,15±0,6	26÷20	crimp	Gold
on request	RF EVBS 6 14S-2P FS1318 F16	4	Pin	Ethernet cat. 5 / MVB / RS485	0,15±0,6	26÷20	crimp	Gold
on request	RF EVBS 6 14SZ8P FS1318 F16	8	Pin	Ethernet cat. 6 / 5e	0,6	20	crimp	Gold
on request	RF EVBS 6 14SZ10P FS1318 F16	10	Pin	7,5A - 200V	0,6	20	crimp	Gold
on request	RF EVBS 6 14SZ14P FS1318 F16	14	Pin	7,5A - 200V	0,6	20	crimp	Gold
on request	RF EVBS 6 14S-9S FS1318 F16	2	Socket	WTB	0,15±0,6	26÷20	crimp	Gold
on request	RF EVBS 6 14S-2S FS1318 F16	4	Socket	Ethernet cat. 5 / MVB / RS485	0,15±0,6	26÷20	crimp	Gold
VS170504	RF EVBS 6 14SZ8S FS1318 F16	8	Socket	Ethernet cat. 6 / 5e	0,6	20	crimp	Gold
on request	RF EVBS 6 14SZ10S FS1318 F16	10	Socket	7,5A - 200V	0,6	20	crimp	Gold
on request	RF EVBS 6 14SZ14S FS1318 F16	14	Socket	7,5A - 200V	0,6	20	crimp	Gold

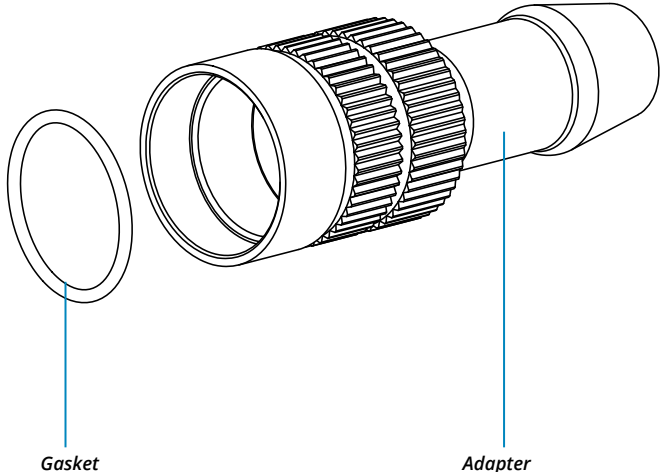
Dimensions in mm

Dimension "L" can be different from the value indicated according to backshells accessories, wires size and some special insert configurations.

# EVBS SERIES - Modular Bayonet Connector

Plug connector with rubber covered coupling nut (6) with Backshell Class (FS)

<b>RF</b>	<b>EVBS</b> Series Code	<b>303</b>	<b>6</b> Shell Type	<b>14S-9</b>	<b>S</b>	<b>FS1318</b> Connector Class	<b>F16</b>
-----------	----------------------------	------------	------------------------	--------------	----------	----------------------------------	------------



<b>RF</b>	<b>Insulating material</b>	<b>RF</b>	Fire resistant rubber (EN45545 R22- R23 / HL3)
<b>EVBS</b>	<b>Series Code</b>	<b>EVBS</b>	EVBS series
<b>303</b>	<b>Shell Material</b>	-	Aluminum
		<b>303</b>	Stainless Steel 303
<b>6</b>	<b>Shell Type</b>	<b>6</b>	Plug connector provided with grounding finger, for straight backshell, coupling nut rubber covered
<b>14S-9</b>	<b>Insert Arrangement</b>	<b>14S-9</b>	2 contacts size 16S (WTB)
		<b>14S-2</b>	4 contacts size 16S (Cat. 5/MVB/RS485)
		<b>14SZ8</b>	8 contacts size 20 (Cat. 6/ Cat. 5E)
		<b>14SZ10</b>	10 contacts size 20 (7.5A/200V)
		<b>14SZ14</b>	14 contacts size 20 (7.5A/200V)
<b>S</b>	<b>Contact Gender</b>	<b>S</b>	Socket contacts (Crimp contacts, Gold plating)
		<b>P</b>	Pin contacts (Crimp contacts, Gold plating)
<b>FS1318</b>	<b>Connector Class **</b>	<b>FS1318</b>	Provided with a special adapter for UNI4883 rubber conduits
<b>F16</b>	<b>Shell finishes</b>	<b>F5</b>	Electroless nickel ( <i>RoHS compliance</i> )
		<b>F16</b>	CCF - Black passivation - conductive ( <i>RoHS compliance</i> )

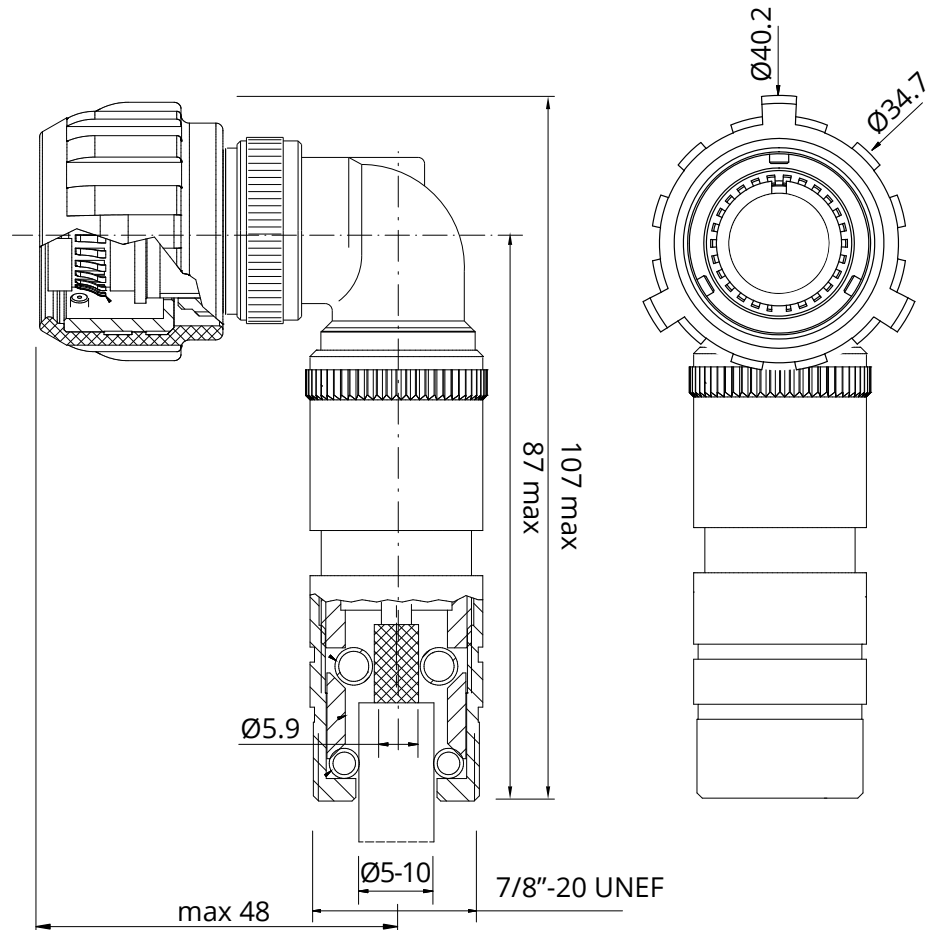
P/N Sample: RF EVBS 6 14S-9P FS1318 F16



## EVBS SERIES - Modular Bayonet Connector

### Plug connector with rubber covered coupling nut (8) with 90° Elbow Class (P1-P2-P3)

Connector provided with grounding finger to guarantee shielding; The iris spring is used to connect multicore jacketed cables or jacketed hoses. Rubber covered coupling nut able to protect against dust and impact.



Part Number	Short Description	N° Poles	Contact Gender	Type	Wire Section mm <sup>2</sup>	AWG	Contact Type	Contact plated
on request	RF EVBS 8 14S-9P P2 F16	2	Pin	WTB	0,15±0,6	26÷20	crimp	Gold
VS170511	RF EVBS 8 14S-2P P2 F16	4	Pin	Ethernet cat. 5 / MVB / RS485	0,15±0,6	26÷20	crimp	Gold
VS170509	RF EVBS 8 14SZ8P P2 F16	8	Pin	Ethernet cat. 6 / 5e	0,6	20	crimp	Gold
on request	RF EVBS 8 14SZ10P P2 F16	10	Pin	7,5A - 200V	0,6	20	crimp	Gold
on request	RF EVBS 8 14SZ14P P2 F16	14	Pin	7,5A - 200V	0,6	20	crimp	Gold
on request	RF EVBS 8 14S-9S P2 F16	2	Socket	WTB	0,15±0,6	26÷20	crimp	Gold
on request	RF EVBS 8 14S-2S P2 F16	4	Socket	Ethernet cat. 5 / MVB / RS485	0,15±0,6	26÷20	crimp	Gold
VS170528	RF EVBS 8 14SZ8S P2 F16	8	Socket	Ethernet cat. 6 / 5e	0,6	20	crimp	Gold
on request	RF EVBS 8 14SZ10S P2 F16	10	Socket	7,5A - 200V	0,6	20	crimp	Gold
on request	RF EVBS 8 14SZ14S P2 F16	14	Socket	7,5A - 200V	0,6	20	crimp	Gold

Dimensions in mm

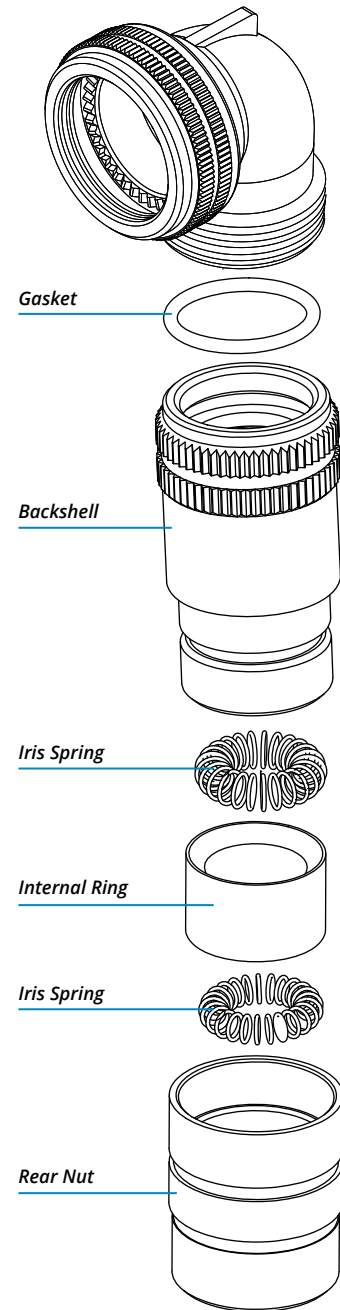
Dimension "L" can be different from the value indicated according to backshells accessories, wires size and some special insert configurations.

# EVBS SERIES - Modular Bayonet Connector

Plug connector with rubber covered coupling nut (8) with 90° Elbow Class (P1-P2\_P3)

<b>RF</b>	<b>EVBS</b> Series Code	<b>303</b>	<b>8</b> Shell Type	<b>14S-9</b>	<b>S</b>	<b>P2</b> Connector Class	<b>F16</b>
-----------	----------------------------	------------	------------------------	--------------	----------	------------------------------	------------

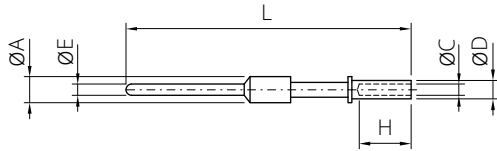
<b>RF</b>	<b>Insulating material</b>	<b>RF</b>	Fire resistant rubber (EN45545 R22- R23 / HL3)
<b>EVBS</b>	<b>Series Code</b>	<b>EVBS</b>	EVBS series
<b>303</b>	<b>Shell Material</b>	-	Aluminum
		<b>303</b>	Stainless Steel 303
<b>8</b>	<b>Shell Type</b>	<b>8</b>	Plug connector provided with grounding finger, with 90° elbow, coupling nut rubber covered
		<b>14S-9</b>	2 contacts size 16S (WTB)
		<b>14S-2</b>	4 contacts size 16S (Cat. 5/MVB/RS485)
		<b>14S-9</b>	<b>Insert Arrangement</b>
<b>14S-9</b>	<b>Insert Arrangement</b>	<b>14SZ8</b>	8 contacts size 20 (Cat. 6/ Cat. 5E)
		<b>14SZ10</b>	10 contacts size 20 (7.5A/200V)
		<b>14SZ14</b>	14 contacts size 20 (7.5A/200V)
<b>S</b>	<b>Contact Gender</b>	<b>S</b>	Socket contacts (Crimp contacts, Gold plating)
		<b>P</b>	Pin contacts (Crimp contacts, Gold plating)
<b>Px</b>	<b>Connector Class **</b>	<b>P1</b>	Cable Overall diameter 4-8mm
		<b>P2</b>	Cable Overall diameter 5-10mm
		<b>P3</b>	Cable Overall diameter 9-13mm
<b>F16</b>	<b>Shell finishes</b>	<b>F5</b>	Electroless nickel ( <i>RoHS compliance</i> )
		<b>F16</b>	CCF - Black passivation - conductive ( <i>RoHS compliance</i> )



P/N Sample: RF EVBS 8 14S-9P P2 F16

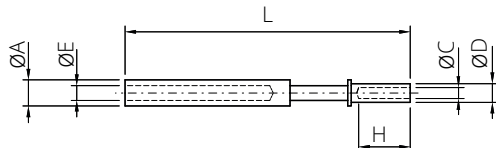
## EVBS SERIES - Crimp Contacts

### Pin Contacts - Gold Plated



Contact Size	Part Number	Short Description	Wire section (mm <sup>2</sup> )	AWG cable size	ØA	ØE	ØC	ØD	H	L
16S	VS701806	ST485 16S-13P CD5	0.15÷0.6	26÷20	3.2	1.58	1.1	2.15	6.5	26.20
20	VS702921	CT485-20P	0.6	20	2	1	1.3	1.93	4.5	20.40

### Socket Contacts - Gold Plated



Contact Size	Part Number	Short Description	Wire section (mm <sup>2</sup> )	AWG cable size	ØA	ØE	ØC	ØD	H	L
16S	VS701706	ST485 16S-13S CD5	0.15÷0.6	26÷20	3.2	1.68	1.1	2.15	6.5	26.6
20	VS702901	CT485-20S	0.6	20	2	1.08	1.3	1.93	4.5	20.40

*Dimensions in mm*

*The creepage distance is reduced for the insert with contacts for larger wires than the standard ones. Consult our commercial office for Service Rating.*

## EVBS SERIES - Crimping Tools



Part Number	Short Description	Tool
VS610057	CRT-C7	Crimping Tool Cat.7 contacts pair
VS610058	GMM ST-C7	Wire Stripping Tool Weidmuller Stripax 0,08mm <sup>2</sup> - 10mm <sup>2</sup> (28 AWG - 8 AWG)
VS610063	GMM WI-C7	Wire Identifier C7
VS610067	CRT-CT-784	Crimping Tool (M22520/2-01) Daniels DMC AFM8
VS610068	LOC-CT-784	Locator (for CT 485 contacts/ Daniels DMC K1S (M22520/2-02)
VS610069	CRT-SH30L	Manual Crimp Tool for Shielding
VS610070	CDI-30K06	Crimp Die for Shielding Sleeve Ø 6mm
VS610071	CDI-30K09	Crimp Die for Shielding Sleeve Ø 9mm
VS610002	CRT-784/1	Crimping Tool Daniels DMC VM8
VS610008	LOC-784	Locator (for ST485 contacts size 16 and 12) Daniels TURRET VH435-1
VS610019	CTIN-784-18/20	Insertion Tool (for ST485 contacts size 18, 20 and 16-13)
VS610020	CTIN-784-16	Insertion Tool (for ST485 contacts size 16)
VS610030	CTES-784-20	Removal Tool (for ST485 contacts size 20)
VS610032	CTES-784-16	Removal Tool (for ST485 contacts size 16)
VS610052	GP-784-20	Guide Pin Size 20
VS610053	GP-784-18	Guide Pin Size 18



## Information regarding the use of the product within recommended safety limits

To use the connectors described in this catalogue according to the necessary safety requirements we suggest you apply the following criteria:

- use the connectors and connected cables within their electrical and environmental limits
- follow the characteristics of each version (shell, class and type of strain relief) and carefully choose the appropriate connector for the required use
- make sure to respect the procedures regarding the correct assembly of connectors and the crimping of contacts
- any connector damaged during shipment, storage, assembly or use should be replaced
- never uncouple the connectors when under power
- always protect the parts against shock when the circuit is under power
- always check the circuit before putting it under power
- consult Radiall Italia Srl if in doubt
- the user must take final responsibility for electrical safety Radiall Italia Srl reserves the right to amend the specifications of this catalogue without issuing prior notice.

For the instructions concerning assembly and crimping of contacts please consult the appropriate tools manuals.

We recommend to respect the following general rules:

- to be used always the tools recommended by Radiall Italia Srl's catalogue or manuals
- to be applied the suggested norms for tool maintenance and calibration

DO NOT USE ALTERNATIVE GREASES OR OILS which could damage the insert and affect the functionality of the connector. Radiall Italia Srl reserves the right to amend the specifications of this catalogue without issuing prior notice.

---

*The data defined in this document are given as an indication. In the effort to improve our products, we reserve the right to make any change judged necessary.*



[www.radiall.com](http://www.radiall.com)

**FRANCE**

RADIALL S.A.  
Tel +33149353535  
[info@radiall.com](mailto:info@radiall.com)



[www.vansystem.eu](http://www.vansystem.eu)

**ITALY**

Radiall Italia S.r.l.  
Tel. +39023569931  
[infoit@radiall.com](mailto:infoit@radiall.com)

**2024 EDITION**  
02.2024

050.EVBS016  
PRINTED IN ITALY