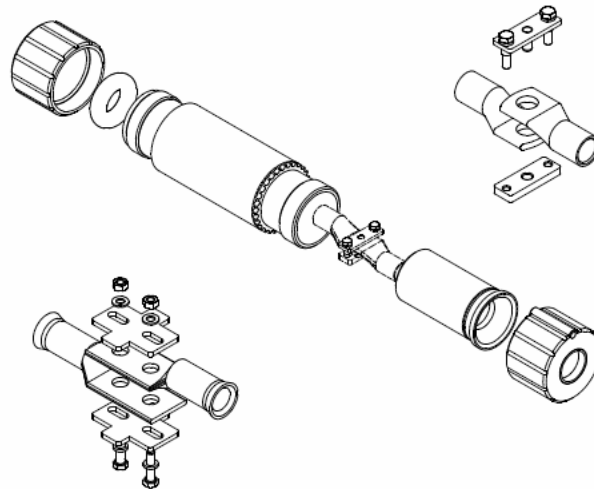
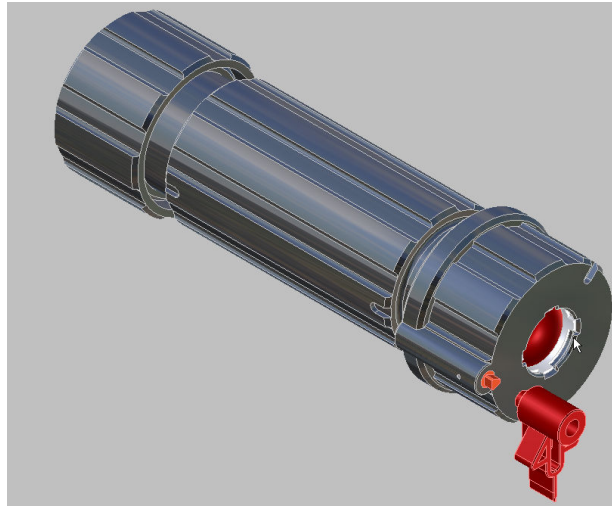
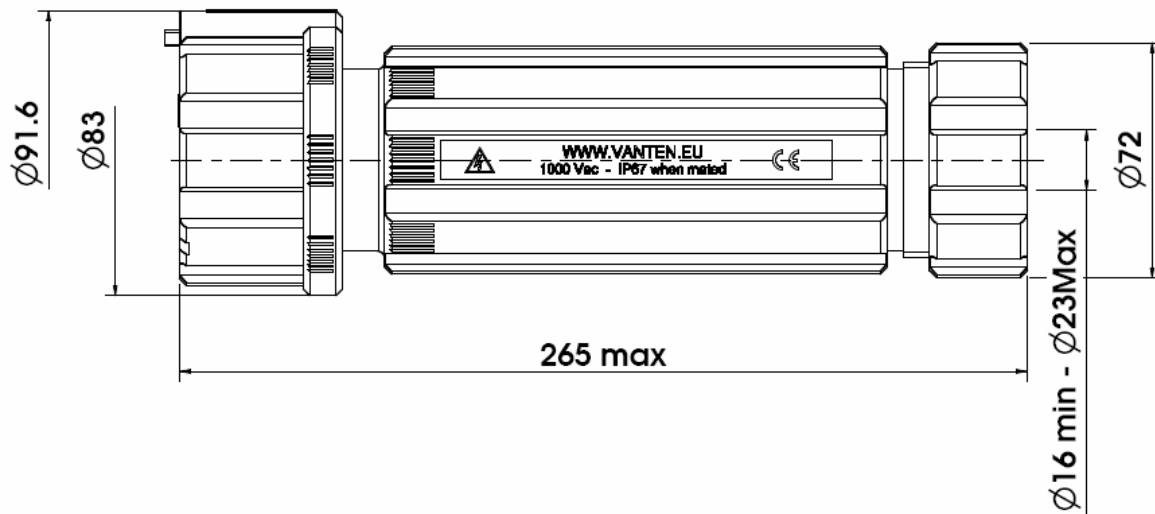


VanTen Lugit 120



- Available for single and double hole lugs
- Max Lug size 120mm² or 4/0
- Minimum lug hole diameter 8.2mm
- IP67 when closed
- *Standard clamping range: 16mm ÷ 23mm*
- *Smaller clamping range requires a different sealing gasket*
- *Plastic thermal rating: 120°C*
- *High temperature gaskets*



Description	Part number
	LUGIT 120-Single hole lug
	LUGIT 120-Double hole lug
Lock Key	LUGIT – disengagement Key
Single hole lug junction Kit	Lugit 120- SHJK
Double hole lug junction kit	Lugit 120- DHJK

Distributed by _____